

Indexing plungers

Steel / Stainless Steel, without rest position

SPECIFICATION

Types

- Type **A**: without lock nut
- Type **AK**: with lock nut

Version in Steel ST

- blackened
- Pin hardened

Version in Stainless Steel AISI 303 NI

Pin chemically nickel plated
Flat hexagonal nuts GN 909.5

Knob
Plastic (Polyamide PA)

- black, matt
- not removable



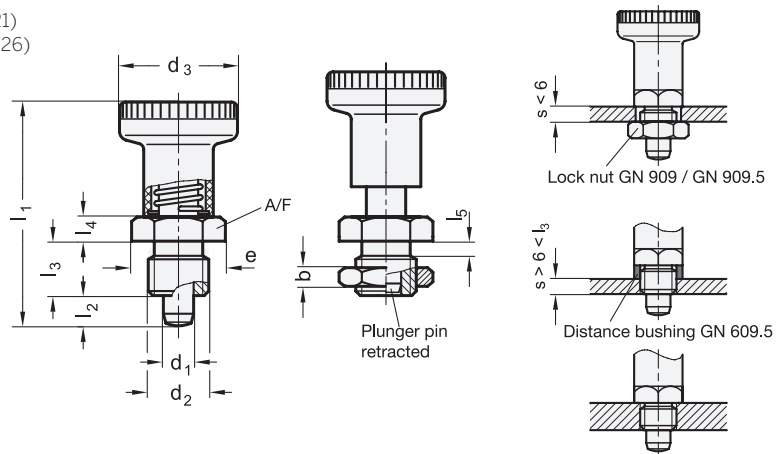
INFORMATION

Indexing plungers GN 607 are distinguished for their small dimensions. The extremely low lock nuts GN 909 (see page 809) / GN 909.5 (see page 809) enlarge the mounting options.

- Range of indexing plungers (see page 738)

TECHNICAL INFORMATION

- ISO-Fundamental Tolerances (see page A21)
- Stainless Steel characteristics (see page A26)
- Plastic characteristics (see page A2)
- Load rating information (see page A42)



GN 607

Description	d1 Pin -0.02/-0.05 Bore H7	b	d2	d3	e ≈	l1	l2 ±0.5	l3 -0.15	l4	l5	A/F	Spring load in N ≈ initial	Spring load in N ≈ end	Axial load in N	⚖
GN 607-6-A-ST	6	4	M 12 x 1.5	25	19.6	45	6	10	5	3	17	11	28	400	34
GN 607-8-A-ST	8	4.5	M 16 x 1.5	31	21.9	54	8	12	6	3	19	15	29	500	61
GN 607-6-AK-ST	6	4	M 12 x 1.5	25	19.6	45	6	10	5	3	17	11	28	400	40
GN 607-8-AK-ST	8	4.5	M 16 x 1.5	31	21.9	54	8	12	6	3	19	15	29	500	62

GN 607-NI

STAINLESS STEEL

Description	d1 Pin -0.02/-0.05 Bore H7	b	d2	d3	e ≈	l1	l2 ±0.5	l3 -0.15	l4	l5	A/F	Spring load in N ≈ initial	Spring load in N ≈ end	Axial load in N	⚖
GN 607-6-A-NI	6	4	M 12 x 1.5	25	19.6	45	6	10	5	3	17	9	25	400	40
GN 607-8-A-NI	8	4.5	M 16 x 1.5	31	21.9	54	8	12	6	3	19	13	26	500	60
GN 607-6-AK-NI	6	4	M 12 x 1.5	25	19.6	45	6	10	5	3	17	9	25	400	43
GN 607-8-AK-NI	8	4.5	M 16 x 1.5	31	21.9	54	8	12	6	3	19	13	26	500	70

